

PRODUCT RELEASE

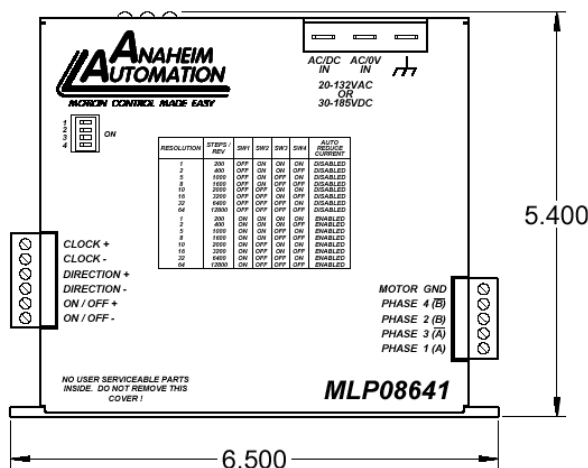
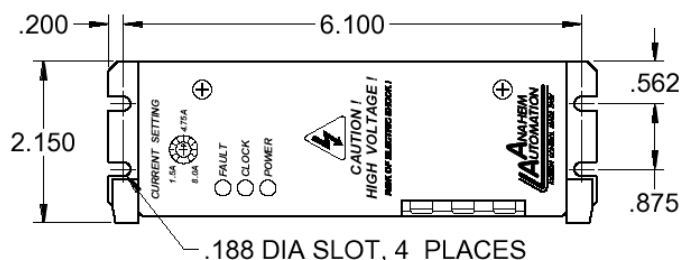
MLP08641 High Performance Microstepping Driver

- 10 Amps/Phase Output Current
- High Torque Output
- Microstepping Drive Operations
- 1, 2, 5, 8, 10, 16, 32 and 64 Step Operations
- Opto Isolated Inputs
- Short Circuit Protection
- Motor On/Off Input
- Current Reduction
- Over-Temperature and Over-Voltage Detection

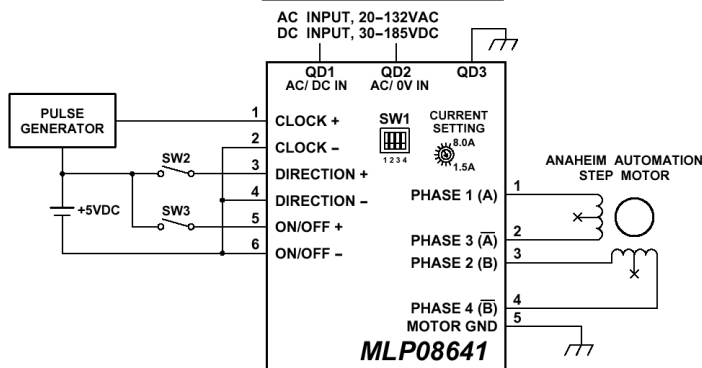
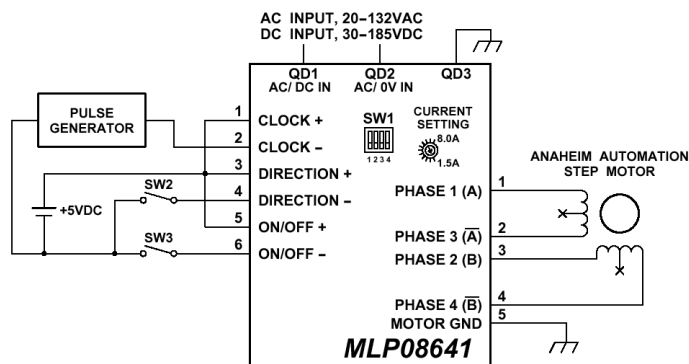


The MLP08641 Microstep Driver has an output current capability of 1.5 Amps minimum to 8.0 Amps maximum (Peak Rating). The MLP08641 driver operates with either an AC voltage of 20-130 Volts or a DC voltage of 30-185 Volts. The inputs are opto-isolated with a minimum sourcing of 7 mA per input (5VDC Minimum to 24VDC Maximum). The clock input is set to receive either positive or negative edge clocks with a maximum frequency of 400K Hz. The direction input is current sourcing for CW and no current for CCW. The ON/OFF feature is current sourcing to de-energize the step motor and no current to energize the motor. Reduce Current Enabled automatically reduces motor current 70% after last step (1 sec delay). The driver has built-on features to indicate power on (Green LED), clocks being received (Yellow LED), and fault conditions (Red LED). Protection devices have been added to this driver for short-circuits, motor mis-wire conditions, over-voltages and over-temperature.

Dimensions:



Hookup Diagrams:



ANAHEIM AUTOMATION

910 East Orangefair Lane, Anaheim, CA 92801
e-mail: info@anaheimautomation.com

(714) 992-6990 fax: (714) 992-0471
website: www.anaheimautomation.com